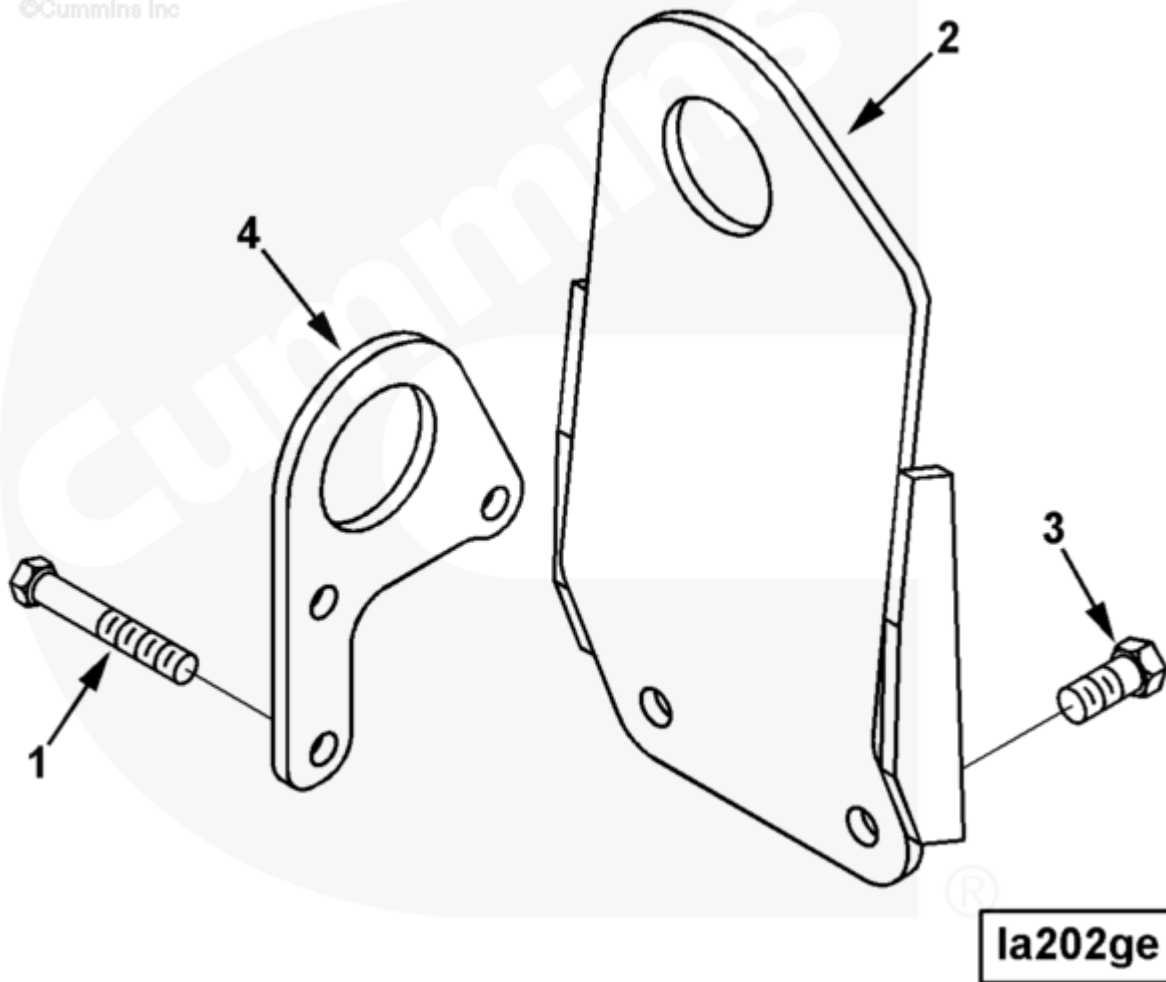




## Parts Catalog - Option Detail

Electronic Parts Catalog - Option Detail				
Option	Group	Graphic	Film Card	Date
LA2072-02	17.06	la202ge	II	03-APR-99
<b>Engines</b>	ISM CM570, ISM CM570/870, ISM CM875, ISM CM876, ISM CM876 E, ISM11 CM876 M103, ISM11 CM876 SN, M11 CELECT, M11 CELECT PLUS, M11 MECHANICAL, QSM11 CM570, QSM11 CM876			

©Cummins Inc



SMALL | MEDIUM | LARGE

Cart	Ref No	Part Number	Part Description	Required	Remarks
<a href="#">View My Cart</a>					
		<a href="#">LA2072-02</a>	Lifting Arrangement		
					Lifting Arrangement
					Engine Aspiration: Sea Water
					Aftercooled

					Front Lifting Brkt Loc: Front
					of Air Int Manif
					Rear Brkt Vert Height: 194mm
					(7.64")
					Rear Lifting Brkt Offset:
					14mm (0.55")
					Rear lifting Brkt Loc: Rear
					of Cylinder Head
<input type="checkbox"/>	1	<a href="#">3081345</a>	Hexagon Head Cap Screw	3	M10 x 1.50 x 65
<input type="checkbox"/>	2	<a href="#">3335173</a>	Lifting Bracket	1	
<input type="checkbox"/>	3	<a href="#">3893834</a>	Hexagon Head Cap Screw	2	M12 x 1.75 x 25
<input type="checkbox"/>	4	<a href="#">4004426</a>	Lifting Bracket	1	